

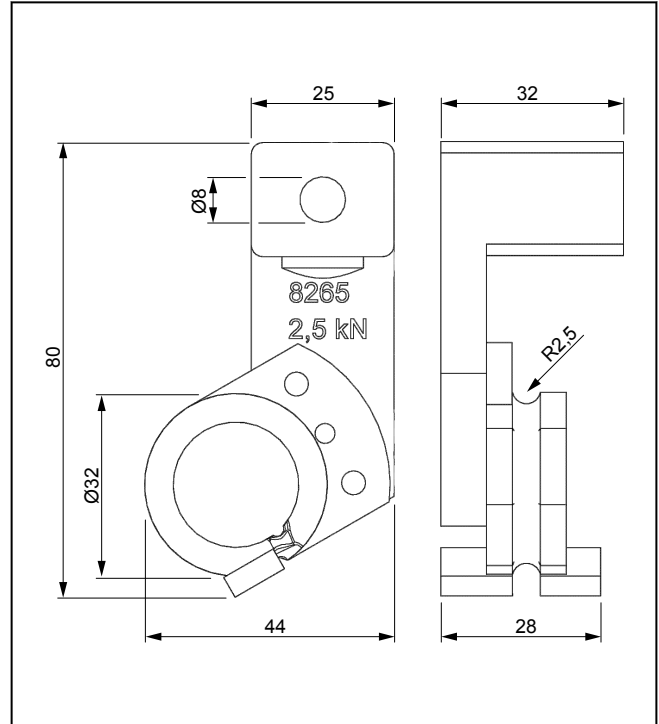
Product Information

Grips for ropes Type 8265 , Fmax 2.5 kN (capstan grips)

CTA: 294168 32390



Type 8265 grips for ropes, Fmax 2.5 kN



Type 8265 grips for ropes, Fmax 2.5 kN: dimensions

Applications

- Specimen material:
plastics, textiles, metals
- Specimen shape:
rope, yarn
- Type of loading
Tensile

Function description

The rope grips can be used for testing dimensionally unstable tensile specimens.

The specimen is passed around the load reduction roller one or more times. The resulting frictional forces reduces the tensile stress at the end of the specimen.

The specimen is automatically centered on insertion by the predetermined groove in the load reduction roller.

Advantages and features

- Looping the specimen around the load reduction roller ensures gentle clamping without jaw breaks.
- These grips represent a cost-effective solution. Looping and knotting the specimen eliminates the need for an end-clamping device.

Product Information

Grips for ropes Type 8265 , Fmax 2.5 kN (capstan grips)

Technical data

Item No.	313440	
Type	8265	
Operating principle/identification	Knotting and wrapping	
Test load F_{max}	2.5	kN
Dimensions		
Height	79.7	mm
Width	44	mm
Depth	32	mm
Groove radius	2.5	mm
Specimen dimensions		
Round specimen, \varnothing	5	mm
Connection, stud	\varnothing 20	mm
Ambient temperature	-70 ... +250	°C
Weight per specimen grip, approx.	0.18	kg
Scope of delivery	2	pieces